

## H25/33V

Bore 250 mm, Stroke 330 mm

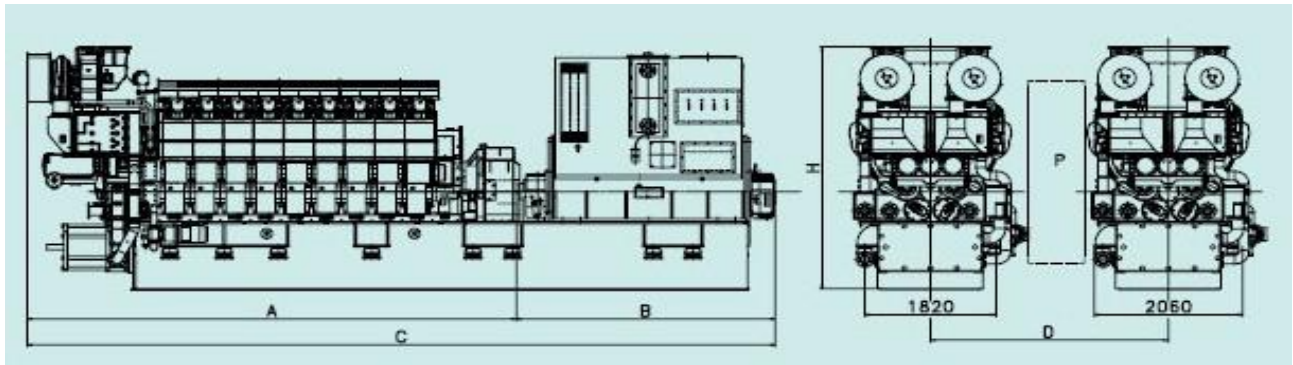
HYUNDAI-HIMSEN

Main Data				
Speed	1000 rpm		900 rpm	
Frequency	50Hz		60Hz	
Model	Genset.kw	Engine.kw	Genset.kw	Engine.kw
12H25/33V	3,686	3,840	3,686	3,840
14H25/33V	4,300	4,480	4,300	4,480
16H25/33V	4,915	5,120	4,915	5,120
18H25/33V	5,558	5,760	5,558	5,760
20H25/33V	6,208	6,400	6,208	6,400

Based on alternator efficiency of 96-97%.

Specific Consumption at Engine & Heat Rate			
100% Load	Unit	1000 rpm	900 rpm
Fuel Oil Consumption	g/kWh	183	
Lube oil consumption	g/kWh	0.6	
Heat Rate	KJ/kWh <sub>m</sub>	7,814	
	KJ/kWh <sub>e</sub>	8,140	

Dimensions							
Speed	Cyl.	Dimensions(mm)				Dry Mass(ton) <sup>4)</sup>	
		A	B <sub>1)</sub>	C <sub>1)</sub>	H	Engine <sub>2)</sub>	Genset <sub>1),3)</sub>
900/1000 rpm	12	5,524	3,334	8,858	3,750	33.5	58.2
	14	5,944	3,504	9,448	3,750	36.5	63.4
	16	6,364	3,682	10,046	3,750	39.5	69.6
	18	6,784	3,772	10,556	3,750	42.5	77.5
	20	7,204	3,772	10,931	3,750	45.5	79.5



### Remarks:

- 1) Depending on alternator.
- 2) Without common base frame.
- 3) With common base frame & alternator (Maker: HHI-EES).
- 4) Weight included a standard alternator.

D: Min. distance between engines 3,840 mm (with gallery)

P: Free passage between the engines, width 600mm and height 2,000mm.

Note) All dimensions and weight are approximate value and subject to change without prior notice.

URL: <http://www.soarpower.com>

E-mail: [sale@soarpower.com](mailto:sale@soarpower.com)

Phone: +86-4008111308